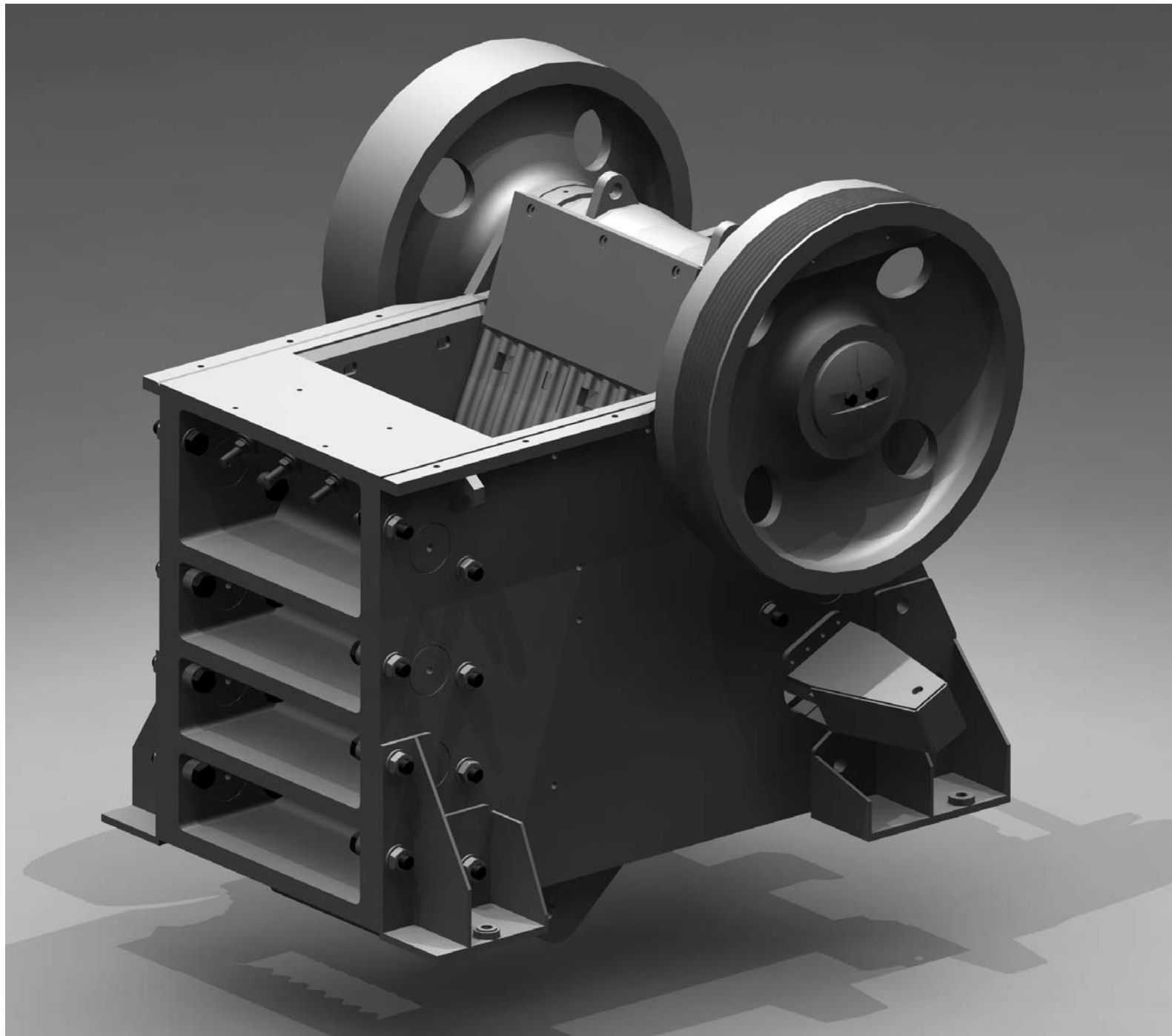




CMB Rockmonster 1100 x 800

Designed, Developed and Manufactured by CMB International



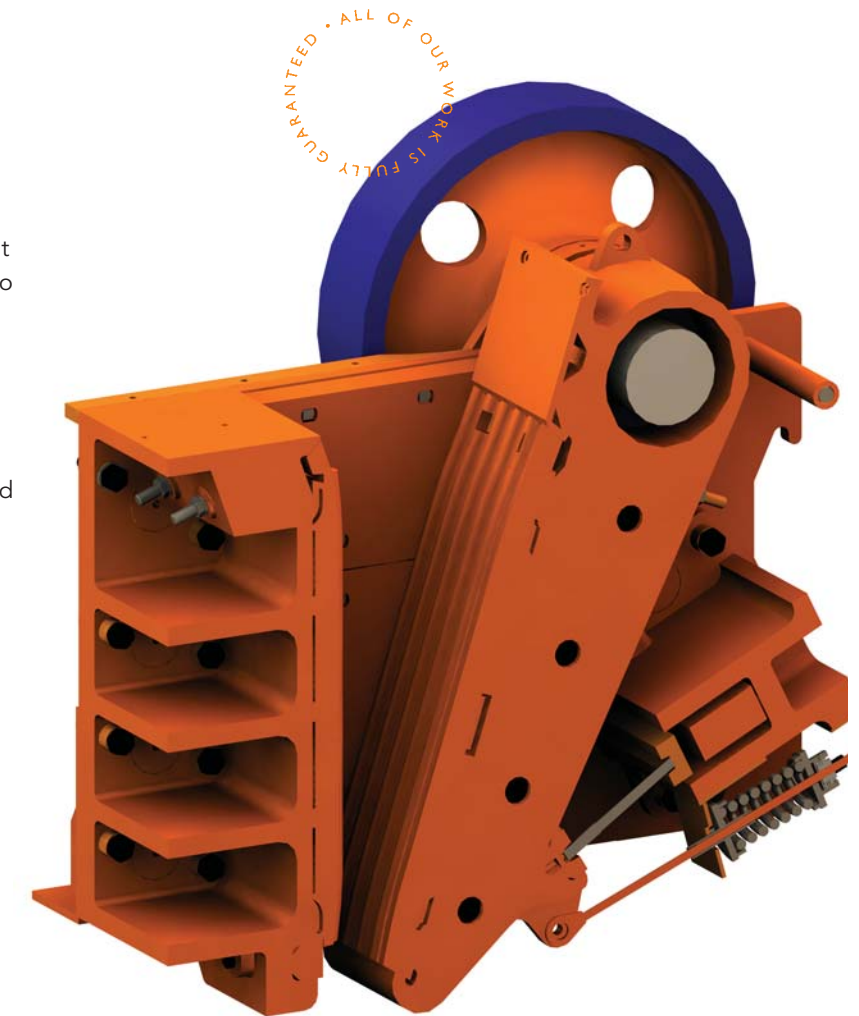
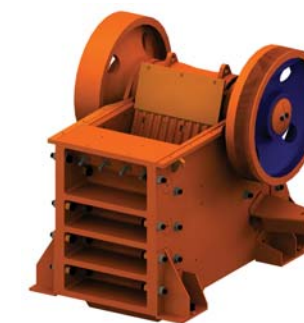


INTRODUCTION

The CMB Rockmonster range of jaw crushers are modern cast-steel all-roller bearing machines. Designed to cope with some of the worlds toughest aggregates, this is a machine developed specifically for heavy quarry work.

The crusher features stepless mechanical/hydraulic adjustment enabling the operator to quickly change settings. There are no shims to change or bolts to re-tighten during the adjustment procedure.

Welding has been kept to a minimum in the design. The massive front wall and cross-beam are special heat treated castings that are bolted and pinned into position. This method of construction avoids stress concentration often found in welded components.



Product features:

- High outputs of good product shape
- Minimal maintenance
- Unattended operation
- Large unobstructed feed opening.
- Fast and simple adjustment



FEATURES AND BENEFITS

The CMB Rockmonster jaw crusher is designed for heavy and continuous applications.

Deflector plate prevents damage to the top of the jaw and speeds up the feeding operation.

Mainframe cross-ties bolted in position.

Cast steel front wall bolted and pinned in position.

Cast manganese steel cheek plates.

The deep jaws provide for a large feed opening with a small nip angle, giving increased crushing efficiency and high capacity.

Replaceable fixed jaw support. Simply bolt a new component in position.

Suitable for fixed or mobile installations, these rugged jaw crushers are manufactured with heavy duty parts for optimum operation and longevity.



Massive cast steel cross-beam. Bolted and pinned in position.

The low-maintenance dry-rolling toggle arrangement need no lubrication.

Pivoting tension rod assembly available with spring auto-adjust option.

ALL OF OUR WORK IS FULLY GUARANTEED.

Flywheels attached to shaft by Ringfeder shrink couplings.

Large spherical bearings protected by a combination of labyrinth and vee-ring seals

Large cast-steel flywheels with thick rims providing high inertia.

Bearing housings bolted in position. Bearings are mounted on centre-line of side-plates.

Stepless infinitely variable hydraulic adjusting system. Crusher setting can be adjusted at the touch of a button*

*Auto-adjust is available as an option at extra cost. Standard fitting is hydraulic hand-pump.

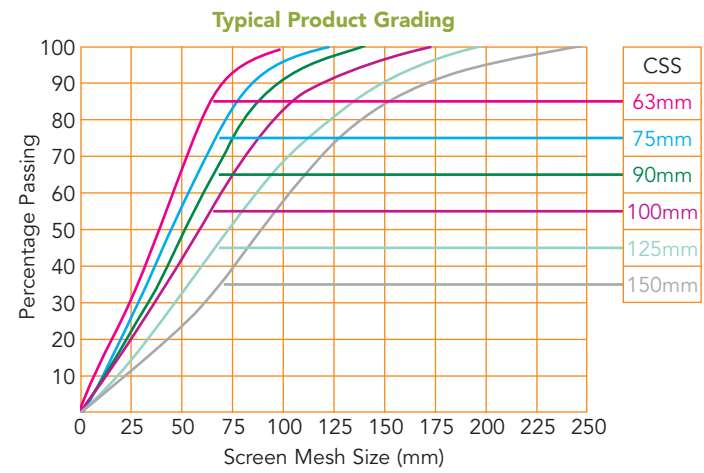
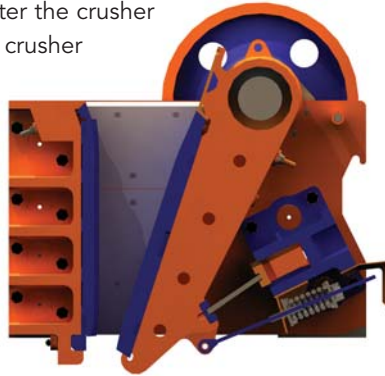
Mounting feet can be varied to suit application.



SPECIFICATIONS

Note:

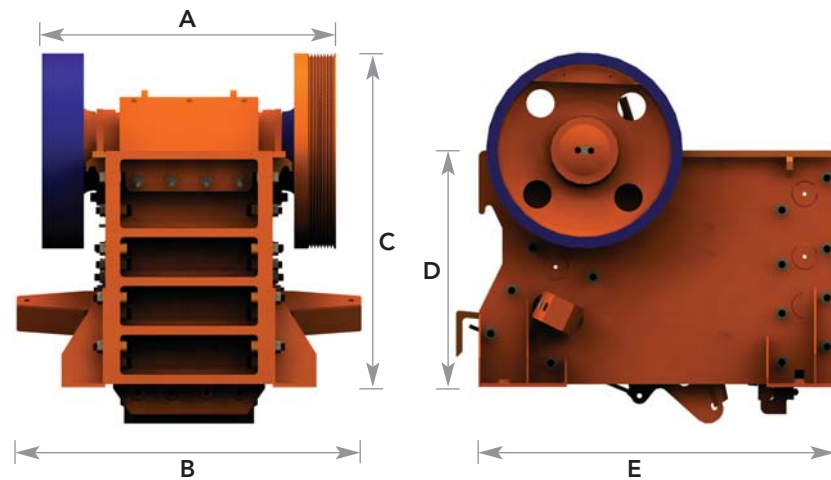
Capacity based on crushing clean, dry stone with a bulk density of 1.6 tonnes/m³ with a maximum feed size that will readily enter the crusher jaws. Material finer than the crusher setting is to be removed from the feed.



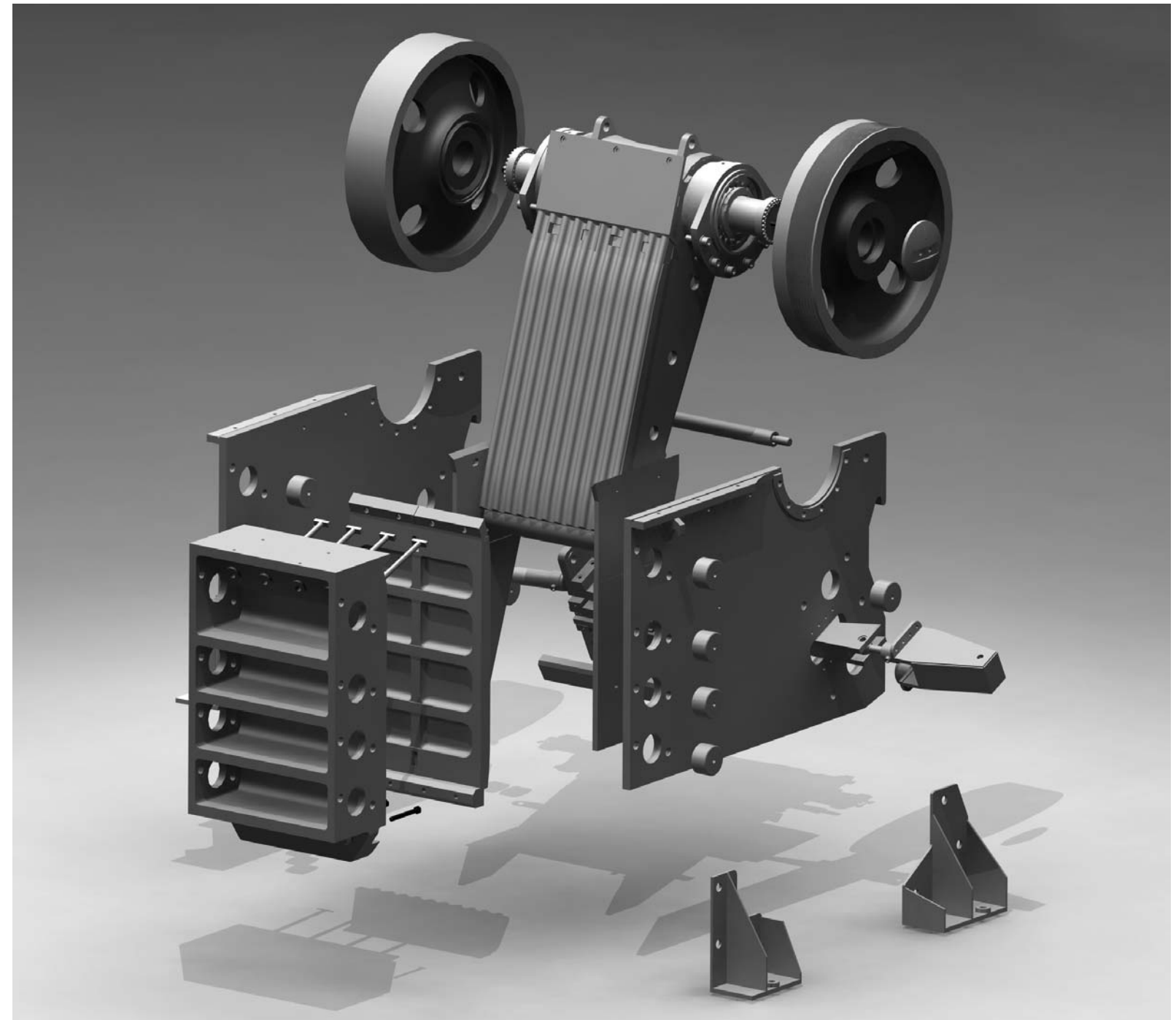
| Jaw Model | Max Feed Size | Min Setting | Approx Capacities Tonnes/hr. | | | | | |
|-------------|---------------|-------------|------------------------------|---------|---------|---------|---------|---------|
| Rockmonster | mm | mm | 63 | 75 | 90 | 100 | 125 | 150 |
| 1100 x 800 | 1050 x 760 | 63 | 100-155 | 125-195 | 135-205 | 155-225 | 175-260 | 150-300 |

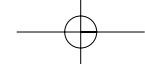
Rockmonster 1100 x 800 Dimensions in mm

- A 2285
- B 2678
- C 2812
- D 1816
- E 2746



| Model | 1100 x 800 |
|--------------------------------|------------------|
| Kw | 132 - 150 |
| Flywheel RPM | 250 - 265 |
| Weight | 26,500Kg |
| Cubic Contents Export Boxed | 20m ³ |





CMB International Limited

Little Alton Farm The Altons Ravenstone Leicestershire LE67 2AA U.K.
Tel: ++44 (0) 1530 563600 Fax: ++44 (0) 1530 563900 Email: sales@cmb.uk.com
Web: www.cmb.uk.com

Company Registered in England and Wales No. 3753430

