

Remote Radio-Frequency Level Indicator

ATEX-approved for zones 20, 21 & 22



DESCRIPTION

The **Remote Auto-Set ATSR1** is a radio-frequency level indicator that allows single point level detection of most liquids and bulk granular materials such as powders, grain, sugar, cement etc...

The remote version allows the programming and monitoring to be achieved at a distance of up to 100 metres between the control module and the transponder.

The Remote version is recommended for situations where

- the level probe is not easily accessible
- regular recalibration is necessary i.e. for various products used in feeders etc
- the level indicator is exposed to vibration and possible impact.
- the product is at temperatures up to 250°C

The control module ATSR1V0A has a display and is simply programmed using push-buttons and switches.

Like the standard version, it has a power shield function that enables it to automatically compensate for material build-up on the probe.

CHARACTERISTICS

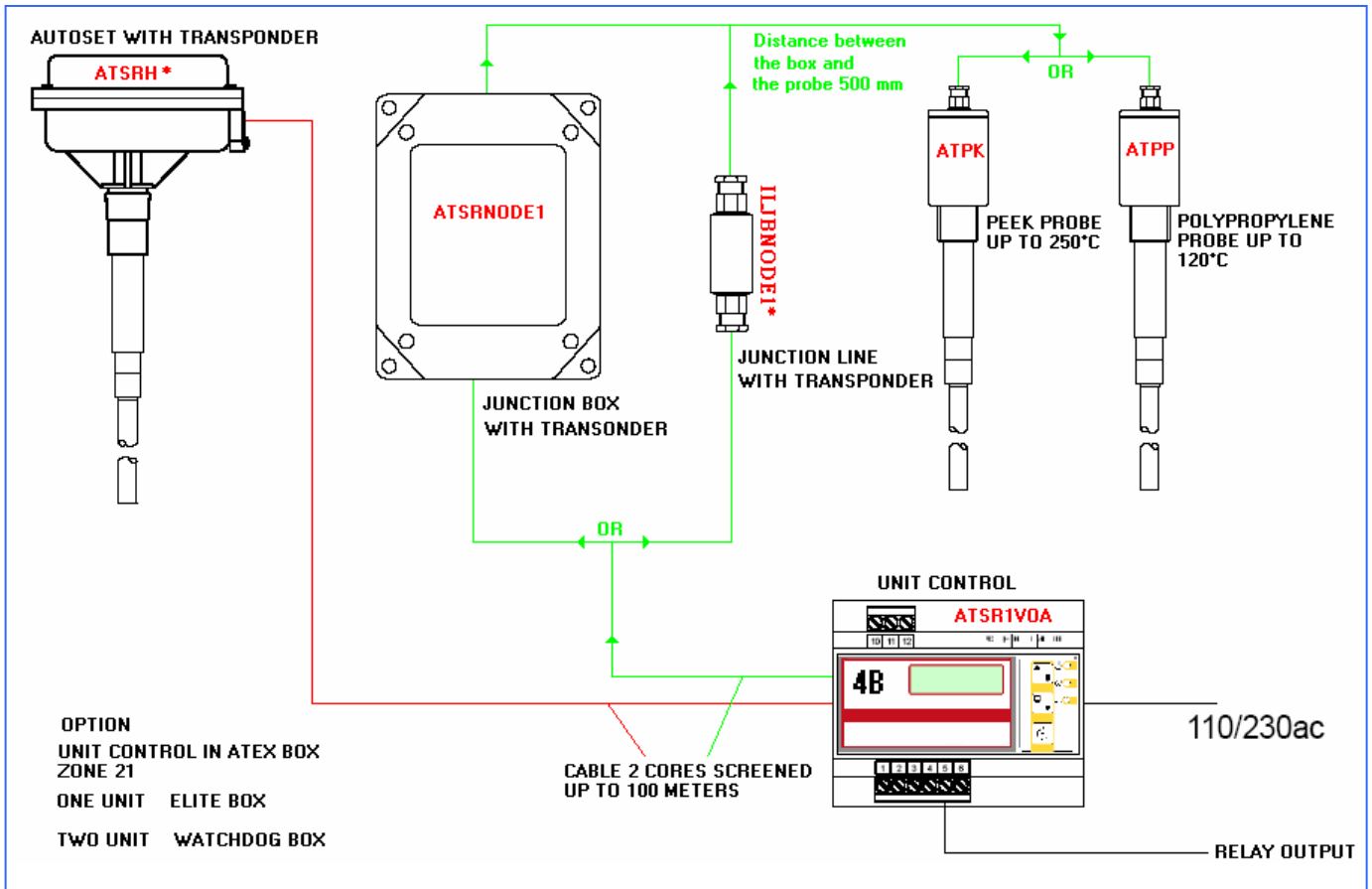
- Power shield to minimise the effect of material adhering
- Available 5 probes up to 10 meters.
- A four digit display is provided to show process variables and aid calibration
- Supply 110/230 VAC
- Output contact
- Set up by push button
- Timer delay 0 to 128 second variable
- Button fail safe high/low level
- Sensitivity adjustable by the user
- Distance between the module and the transponder up to 100 meters long, cable 2 cores screened

Detailed specification, wiring diagrams and installation/operating instructions available immediately upon request.

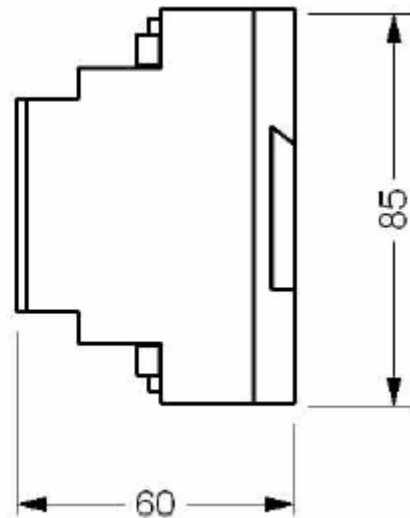
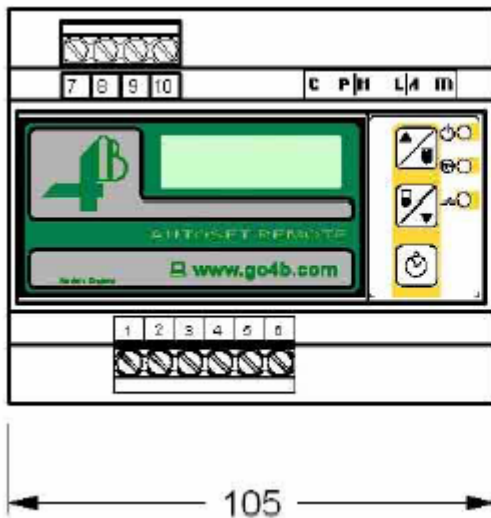
ATSR1



**ATEX APPROVED
ZONE 20**

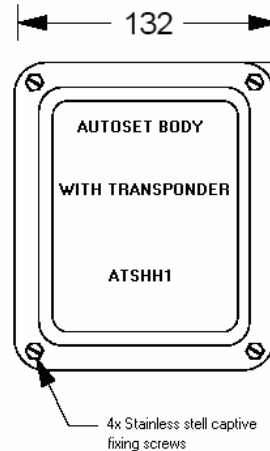
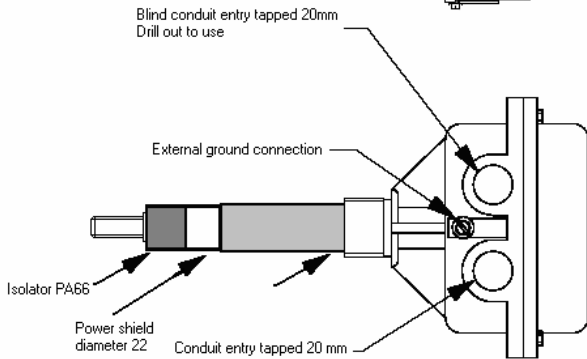
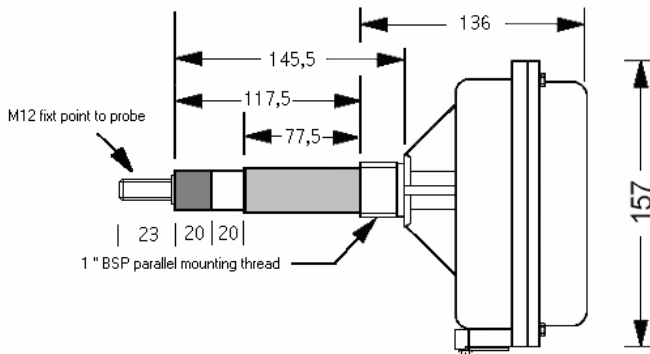


Control Unit ATSR1V0A

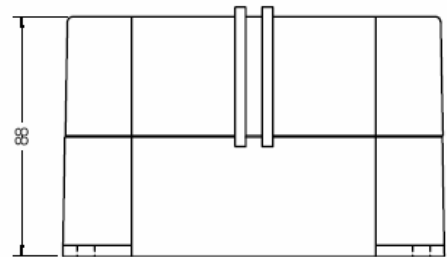
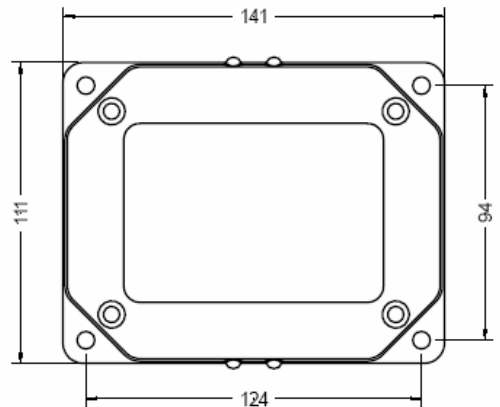


Please refer to instruction manual for correct installation.
Information subject to change or correction. June 2006.

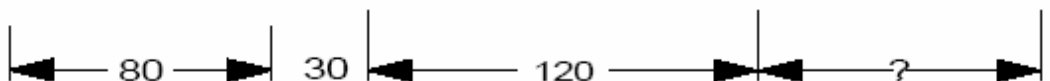
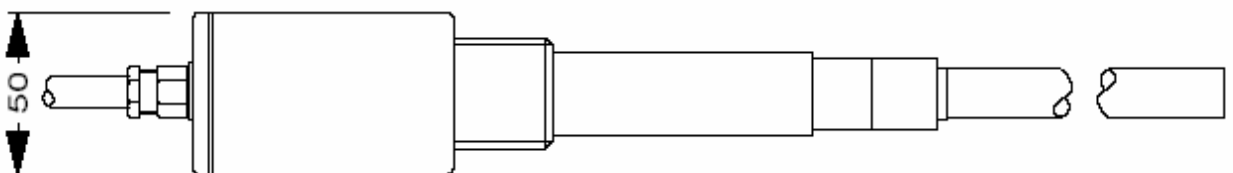
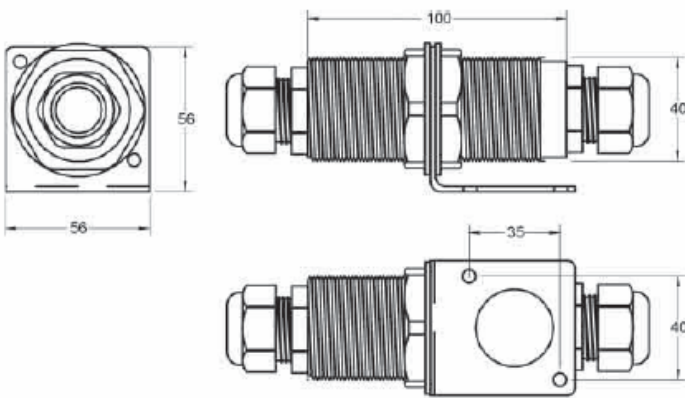
Probe with transponder ATSRH1



Transponder module ATSRNODE1







Transponder module ILJNODE1*



Standard probe ATPP (polypropylene) and ATPK (peak)

Please refer to instruction manual for correct installation.
Information subject to change or correction. June 2006.

SPECIFICATION

ATSR Overall Specification/Approval	
<p><u>ATSR1V0A Control Unit</u></p> <p>Protection: Enclosure: Mounting: Voltage: Rating: Operating Temperature: Output: Time Delay:</p> <p>Max. distance between control unit and probe assembly:</p>	<p>Part of Baseefa05ATEX0120X  (II 1D)[Ex iaD 20] 2W 110/230V. For safe area installation only!</p> <p>IP44. Moulded. Din Rail. 110/230V ac 50/60 Hz (+7½%-15%). 2W. -15°C to +50°C. S. P. C. O. Contacts rated at 2.5A 240V ac Non-inductive. 0-127 seconds variable. Set via membrane keypad. Delay applies when material arrives and leaves the probe.</p> <p>100 metres in 2 core screened cable.</p>
<p><u>Probe Assembly Type (Typical)</u></p> <p>Temperature: Protection: Material: Earth Bonding: Probe Length: Mounting:</p>	<p>(AREM120) Polypropylene up to 120°C; (AREM250) Peek up to 250°C. IP65. Polypropylene & Stainless steel (AREM120) or Peek & Stainless steel (AREM250). Earth connection must be bonded adjacent to metalwork of container. 100mm, 200mm, 1 metre, 2 metre or 10 metre wire rope. (Stainless steel). 1" BSP parallel male.</p>
<p><u>Transponder ILJBNODE1*</u></p> <p>Protection: Operating Temperature: Power Supply: Cable Glands: Connections:</p>	<p>Baseefa05ATEX0120X 1W 27V  II 1D Ex tD A20 Ex iaD 20 T100°C. Tamb -15°C to +50°C</p> <p>IP65. -15 to +50°C Derived from ATSR1V0A Cable glands supplied for connections to probe and ATSR1V0A Terminals provided for connection of two core screened cable to ATSR1V0A remote control unit. Max 100 metres. 0.5 metre high temperature screened cable prefitted for connection to probe (must not be extended).</p>
<p><u>Transponder ATSRNODE1</u></p> <p>Protection: Operating Temperature: Power Supply: Cable Glands: Connections:</p>	<p>Baseefa05ATEX0120X 1W 27V  II 1D Ex tD A20 Ex iaD 20 T125°C. Tamb -20°C to +50°C</p> <p>IP65. -20 to +50°C Derived from ATSR1V0A Cable glands supplied for connections to probe and ATSR1V0A Terminals provided for connection of two core screened cable to ATSR1V0A remote control unit. Max 100 metres. 0.5 metre high temperature screened cable prefitted for connection to probe (must not be extended).</p>
<p><u>Probe/Transponder ATSRH**</u></p> <p>Protection: Operating Temperature: Power Supply: Cable Glands: Connections:</p> <p>Earth Bonding: Probe Length: Mounting:</p>	<p>Baseefa05ATEX0120X 1W 27V  II 1D Ex tD A20 Ex iaD 20 T100°C. Tamb -20°C to +50°C</p> <p>IP65. -20°C to +50°C Derived from ATSR1V0A 2 x M20 threaded entries, one blank (drill out only). Use ATEX approved glands. Terminals provided for connection of two core screened cable to ATSR1V0A remote control unit. Max 100 metres. Earth connection must be bonded adjacent to metalwork of container. 100mm, 200mm, 1 metre, 2 metre or 10 metre wire rope. (Stainless steel). 1" BSP parallel male.</p>

* & ** = unit variations

Please refer to instruction manual for correct installation.
Information subject to change or correction. June 2006.